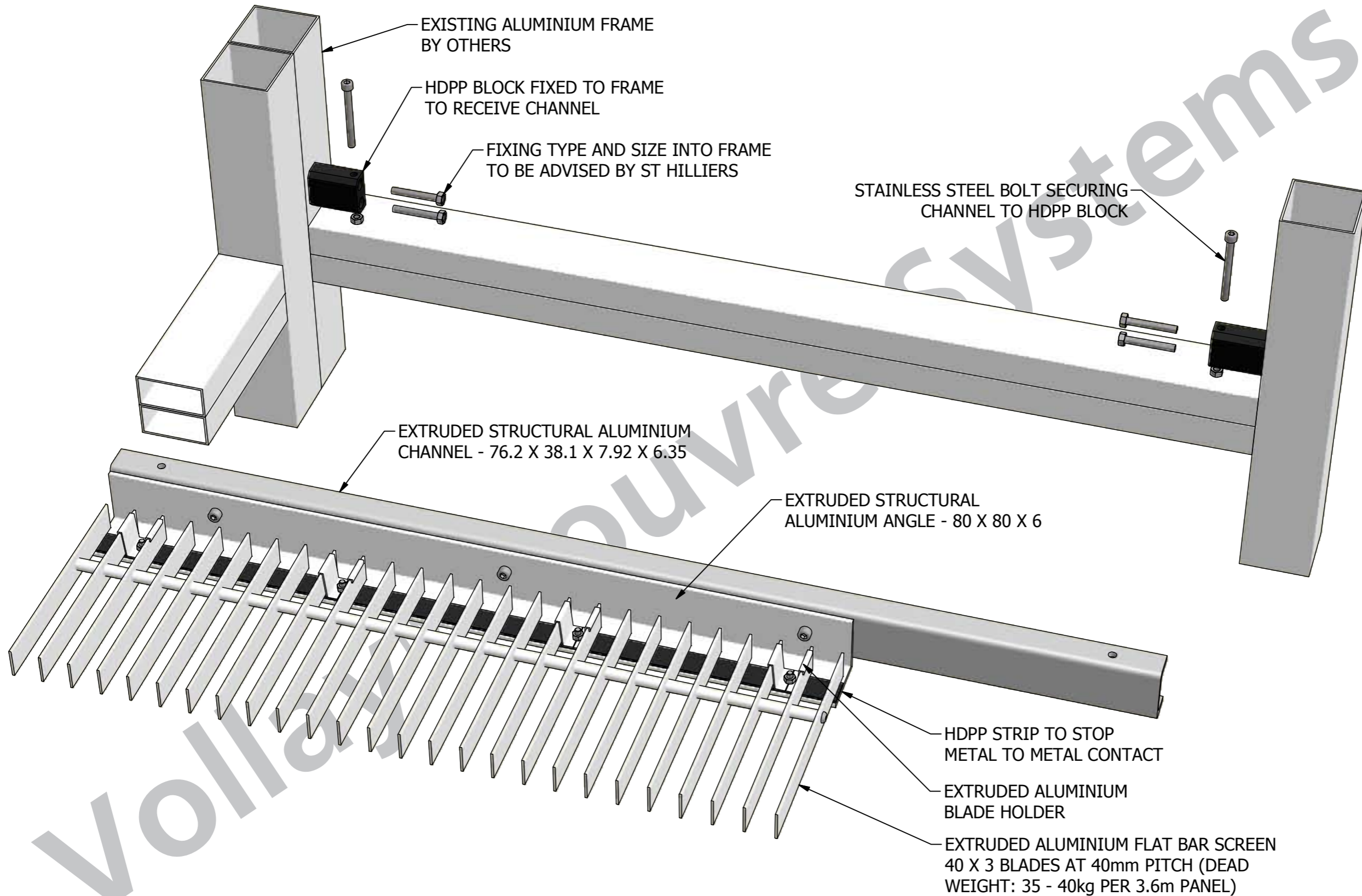




Perimeter =  
Area =

Material =  
Temper =

Mass =



Description V1000 TS 40MM FLAT BLADE

Job COMMERCIAL

Date Drawn 25-03-09

Part Number VARIOUS

Drawn By JW / MPJ

Drawing Number 6

Scale